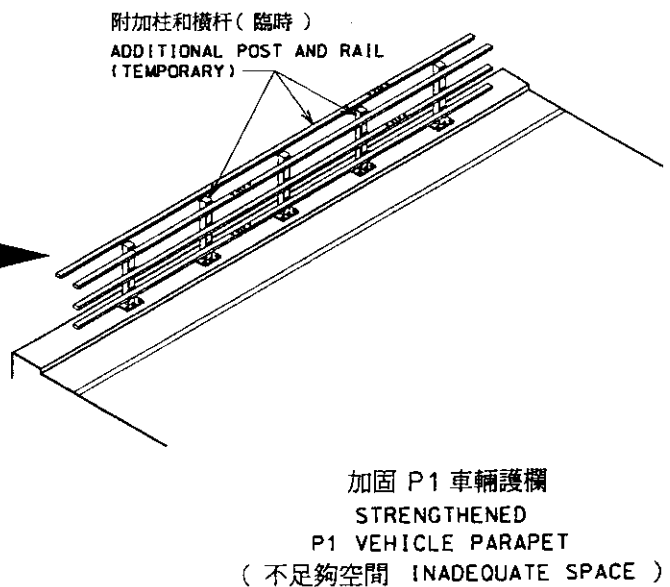
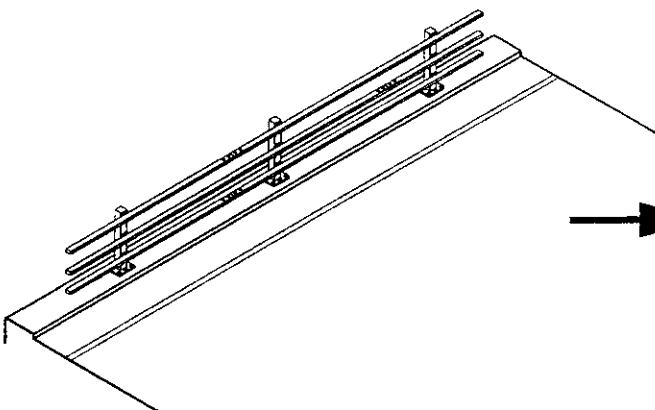
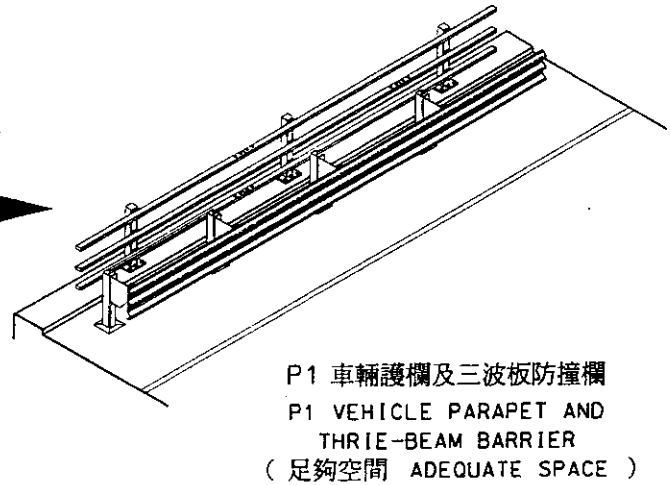
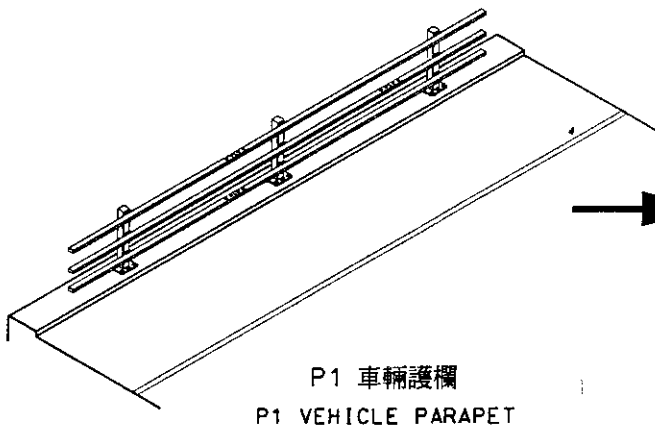
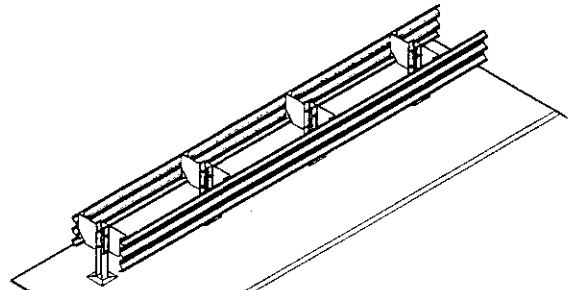
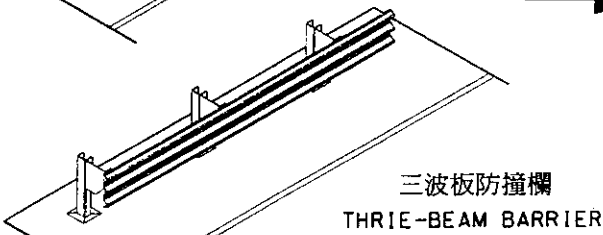
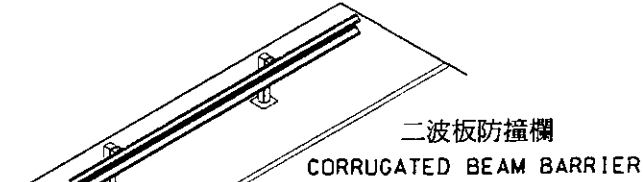


短期至中期措施
SHORT TO MEDIUM TERM MEASURES

CB(1)639/03-04(01)

現有
EXISTING

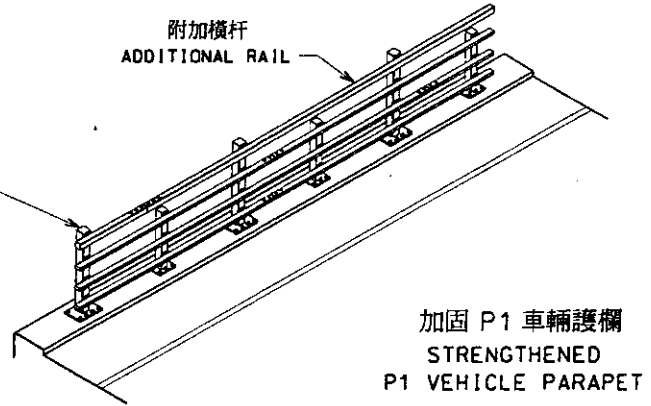
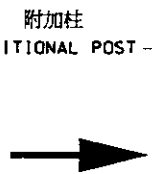
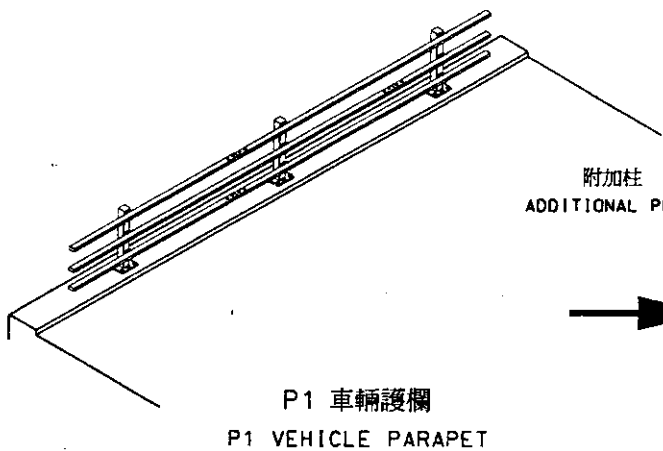
建議
PROPOSED



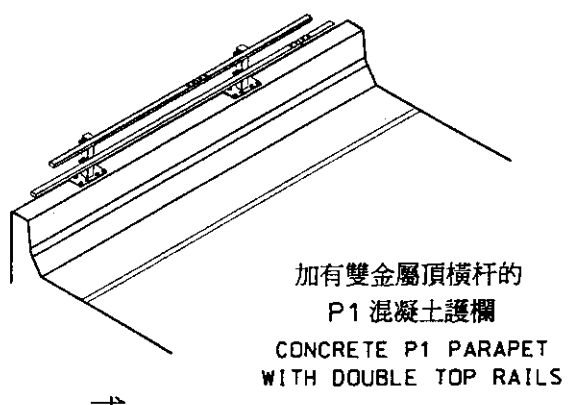
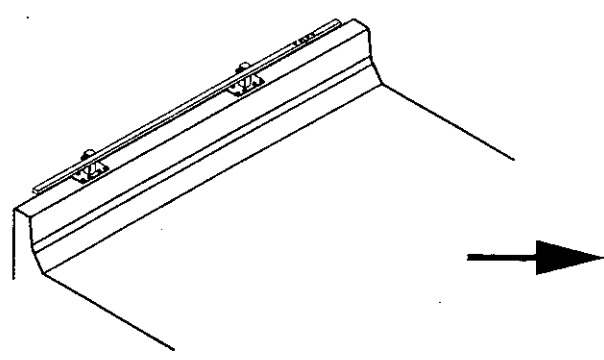
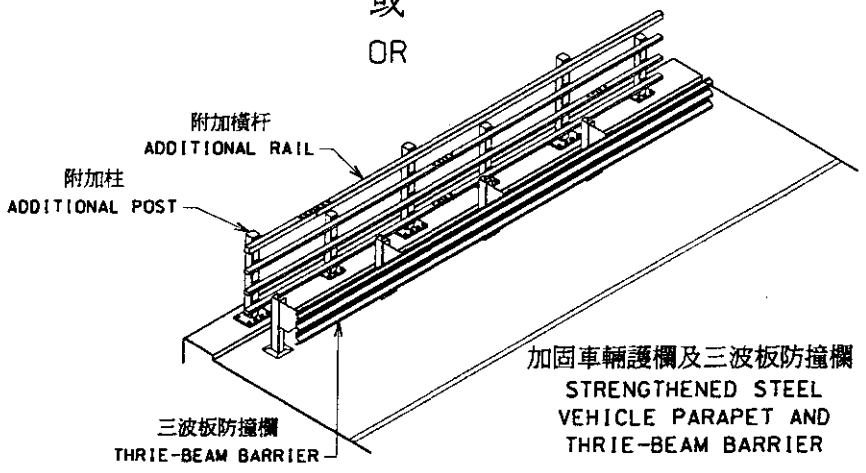
長期措施
LONG TERM MEASURES

現有
EXISTING

建議
PROPOSED



或
OR



或
OR

